

# FuseHolder Detail Specification

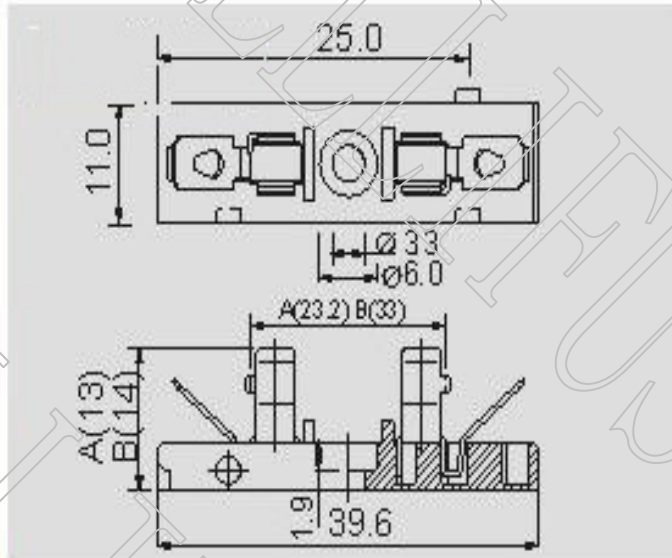
MODEL型号: R3-45


Spec. 规格

For 5x20mm tube fuse/10A250VAC

R3-45


E67774 LR45128

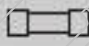


 (4.8mm)0.187" SQ

## FEATURES:

- Material:  
Body phenolic(UL flame: 94V-1).  
Cap : PBT(UL flame: 94V-0).  
Terminal : tin plated brass, nickel plated brass (R3-44C).
- Mounted by nut.

R3-45 

	RATING	FUSE 
<b>A</b>	8A 125/250V AC	Ø 5.0*20
<b>B</b>	15A 125V AC	Ø 6.4*30
	10A 250V AC	Ø 6.35*31.8



Mounted with a M3 screw

Specifications subject to change without notice

Dongguan Selli Technology and Circuits Protection Co, LTD

Tel: 0769-23067981 Fax: 0769-22602343 WWW.SELLIFUSE.COM sales@sellifuse.com