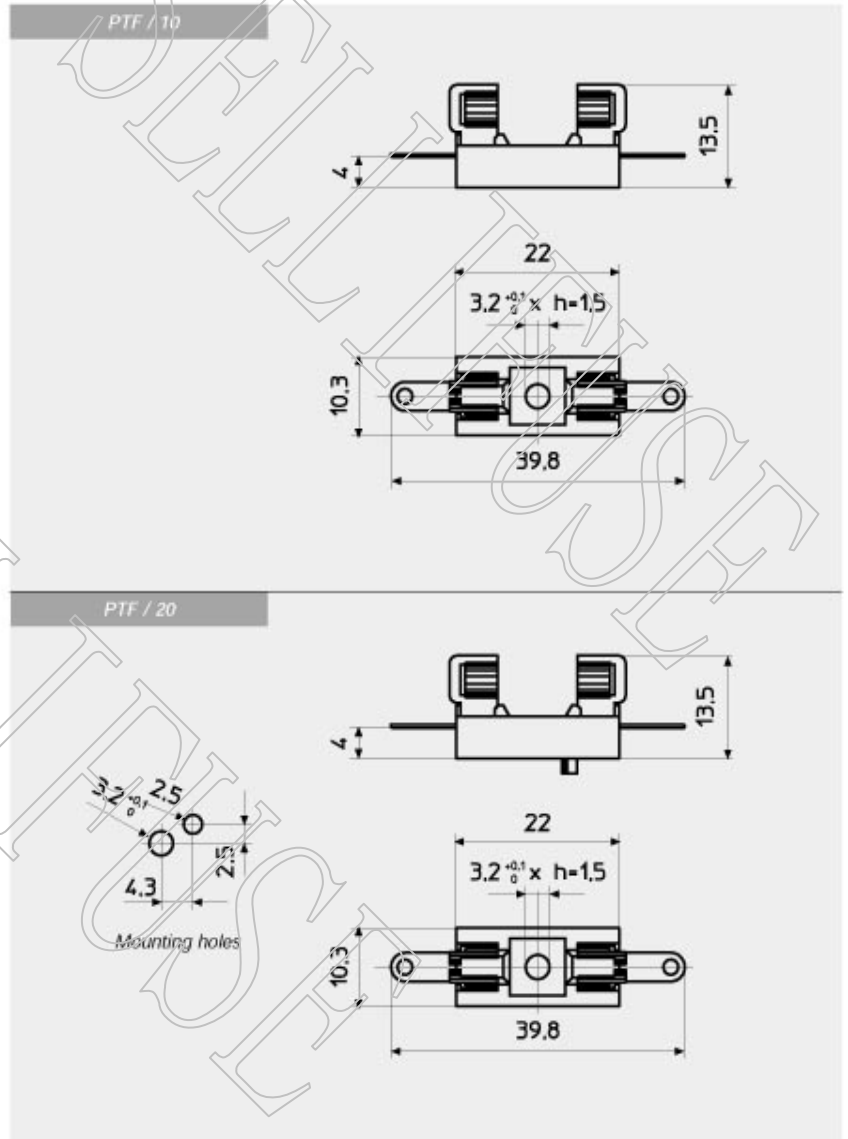
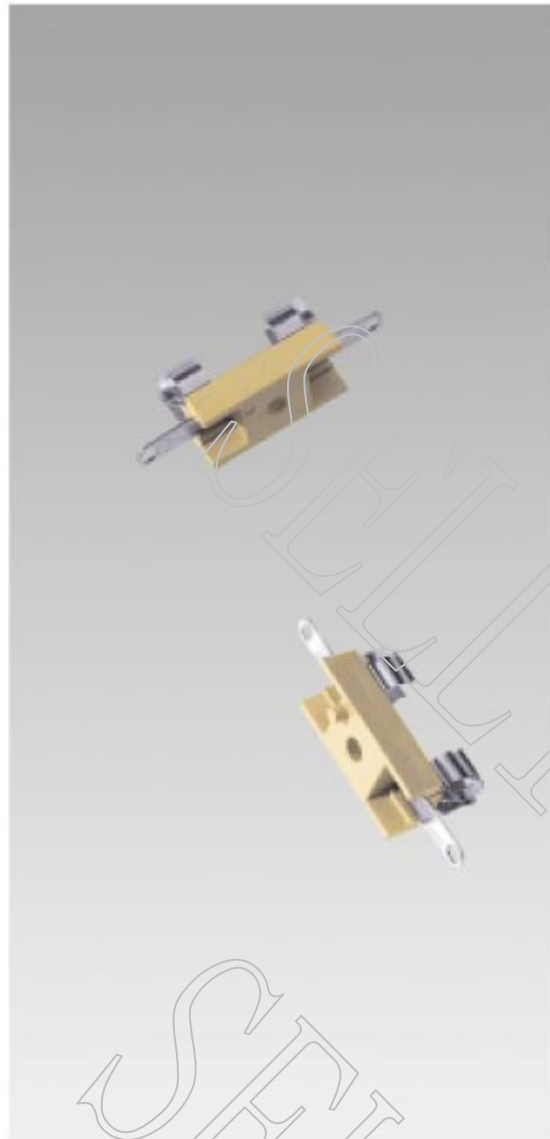


FuseHolder Detail Specification

MODEL型号: PTF-10

Spec. 规格

For 5x20mm tube fuse/6.3A250VAC



CON TERMINALI
A SALDARE

WITH SOLDER
TERMINALS

CONTACTS
A SOUDER

MIT LOTANSCHLUESSEN
KONTAKTTE

CE

Corpo isolante Beige	Insulating body Beige	Corps isolant Beige	Isolierkörper Beige	PPOM UL 94 V1
Contatti	Contacts	Contacts	Kontakte	CuZn 37 + Ni + Sn
Categoria	Class	Categorie	Baureihe	PC1
Corrente nominale	Nominal current	Courant nominal	Strombelastbarkeit	6,3 A
Tensione	Voltage	Tension	Betriebsspannung	250 V
Potenza dissipabile	Operating power	Puissance dissipable	Ausgangsleistung	1,6 W
Resistenza di contatto	Contact resistance	Résistance de contact	Übergangswiderstand	< 5 m Ω
Resistenza di isolamento	Insulation resistance	Résistance d'isolement	Isolationswiderstand	>10 ² M Ω
Rigidità dielettrica	Dielectric strength	Rigidité diélectrique	Durchschlagsfestigkeit	> 3000 Vac / 60 "

Specifications subject to change without notice

Dongguan Selli Technology and Circuits Protection Co, LTD

Tel: 0769-23067981 Fax: 0769-22602343 WWW.SELLIFUSE.COM sales@sellifuse.com