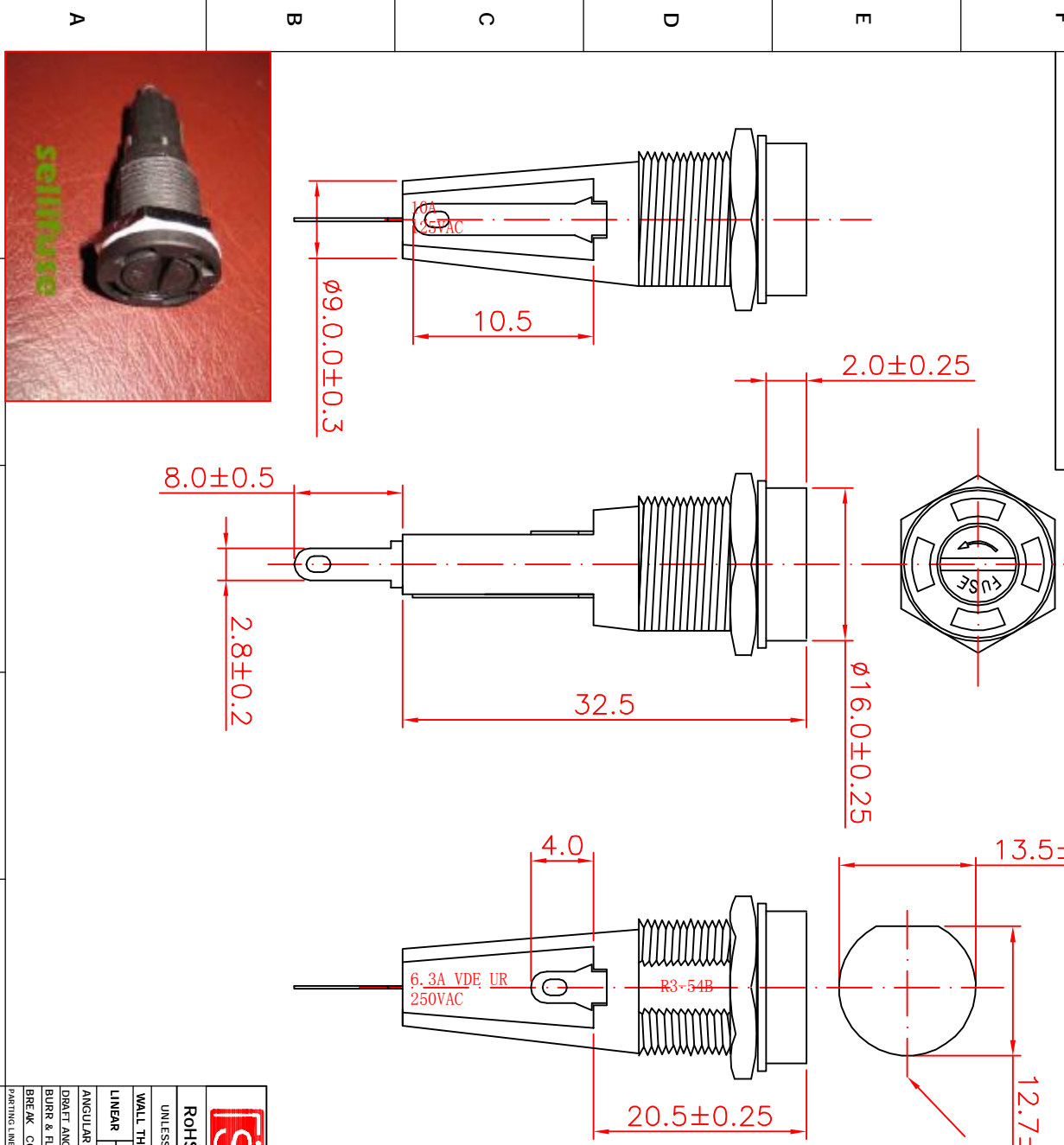


ALL INFORMATION CONTAINED OR DISCLOSED BY THIS DOCUMENT IS CONSIDERED CONFIDENTIAL AND PROPRIETARY BY ANDU ELECTRONICS CO.LTD. ALL DESIGN, MANUFACTURING, USE, REPRODUCTION, AND ALL SALES RIGHTS, ARE EXPRESSLY RESERVED BY ANDU ANDU ELECTRONICS CO.LTD. AND COMMUNICATION OF THIS INFORMATION TO OTHERS IS PROHIBITED WITHOUT THE PRIOR WRITTEN CONSENT OF SELL

DRAWING REVISIONS				
REV	S/N	DESCRIPTION	APPROVED	DATE
A	20080210-04	ORIGINAL RELEASE		



NOTES: UNLESS OTHERWISE SPECIFIED.

1. Applicable: For 5x20mm Fuse.
2. Electrical: Rated for current up to 10A125VAC or 6.3A250V.
3. Insulating body: Bakelite.
4. Terminals: Brass with Tin-plated solderable type.
5. Konb: Screw-driver slot fuse extractor type with nickle-plated copper alloy insert. spring loaded.
6. Metal nut Type: R3-54B
Plastic nut Type: R3-54A



东莞赛力科技和电路保护有限公司
SELL TECHNOLOGY AND CIRCUITS PROTECTION

ROHS COMPLIANT		UNLESS OTHERWISE STATED	
WALL THICKNESS	MM		
LINEAR	.XXX	± 0.05	MM
ANGULAR		± 0.5	DEG
DEAET. ANGLE/SIDE		0.5 °	MAX
BURR & FLASH		0.10	MAX
BREAK CORNERS		0.20	R MAX
PARTING LINE SWITCH		0.05	MAX

Panel Mount Fuseholder
FOR 5x20mm fuse

CUSTOMER	
DSGN	Tom
DFTS	TOM
SHEET	1 OF 1
PART NO.	R3-54B
REV	A