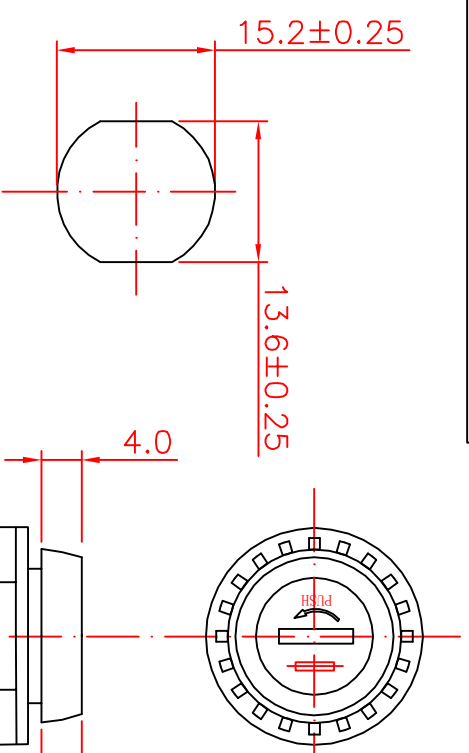
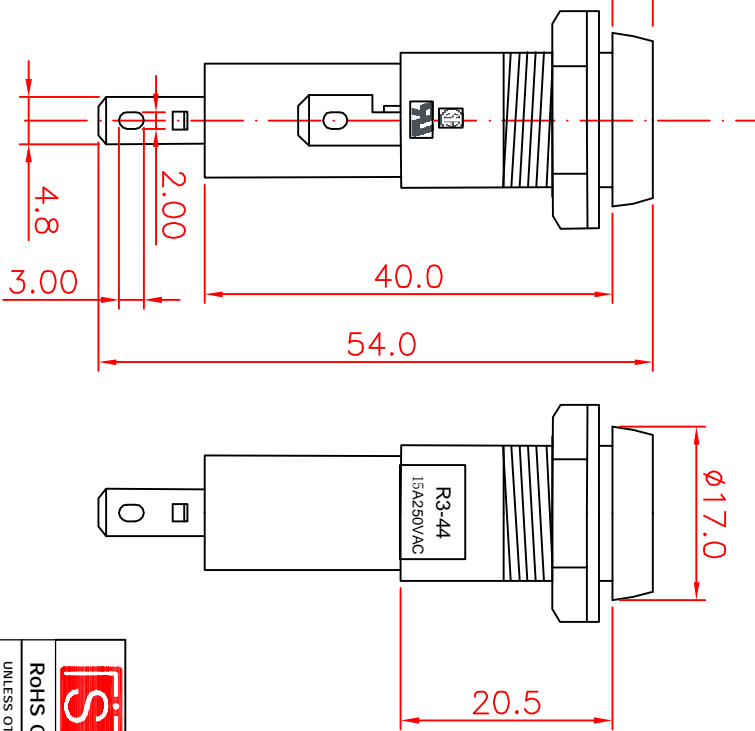


ALL INFORMATION CONTAINED OR DISCLOSED BY THIS DOCUMENT IS CONSIDERED CONFIDENTIAL AND PROPRIETARY BY ANDU ELECTRONICS CO.LTD. ALL DESIGN, MANUFACTURING, USE, REPRODUCTION AND ALL SALES RIGHTS, ARE EXPRESSLY RESERVED BY AND TO ANDU ELECTRONICS CO.LTD. AND COMMUNICATION OF THIS INFORMATION TO OTHERS IS PROHIBITED WITHOUT THE PRIOR WRITTEN CONSENT OF SELLI

DRAWING REVISIONS				
REV	S/N	DESCRIPTION	APPROVED	DATE
A	2008021010	ORIGINAL RELEASE		



Panel Mount hole



NOTES: UNLESS OTHERWISE SPECIFIED.

1. Applicable: For 6x30/32mm Fuse.
2. Electrical: Rated for current up to 15A250V.
3. Insulating body: PBT 94V0
4. Terminals: Brass with Tin-plated solderable type.
5. Konb: Screw-driver slot fuse extractor type with nickle-plated copper alloy insert. spring loaded.
6. plastic Nut Type: R3-44A
Metal nut Type: R3-44B



东莞赛力科技和电路保护有限公司
SELLI TECHNOLOGY AND CIRCUITS PROTECTION

ROHS COMPLIANT		UNLESS OTHERWISE STATED	
WALL THICKNESS	MM	±0.15	MM
LINEAR	.XXX	±0.05	MM
ANGULAR	.XXX	±0.5	DEG
DEBLET ANGLE/SIDE		0.5 °	MAX
BURR & FLASH		0.10	MAX
BREAK CORNERS		0.20 R	MAX
PARTING LINE IN SWITCH		0.05	MAX

Panel Mount Fuseholder
FOR 6X30mm fuse

CUSTOMER	
DSGN	Tom
DFTS	TOM
SCALE	free
SHEET	1 OF 1
PART NO.	
CHKD	
APPD	
REV	
REV	

SELLIFUSE