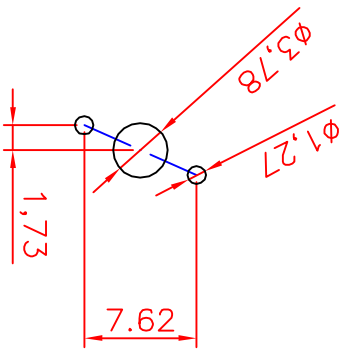
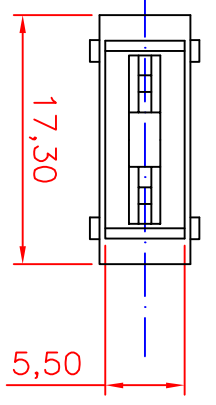
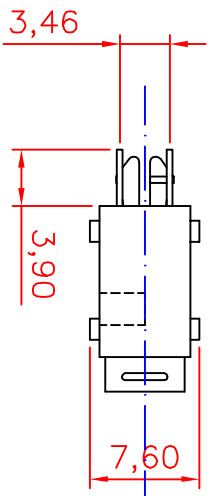
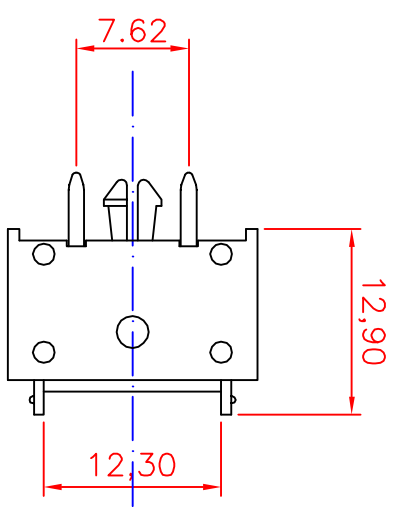


ALL INFORMATION CONTAINED OR DISCLOSED BY THIS DOCUMENT IS CONSIDERED CONFIDENTIAL AND PROPRIETARY BY SELLER ELECTRONICS CO.LTD. ALL DESIGN, MANUFACTURING, USE, REPRODUCTION AND ALL SALES RIGHTS, ARE EXPRESSLY RESERVED BY AND TO SELLER ELECTRONICS CO.LTD. AND COMMUNICATION OF THIS INFORMATION TO OTHERS IS PROHIBITED WITHOUT THE PRIOR WRITTEN CONSENT OF SELLER

DRAWING REVISIONS				
REV	S/N	DESCRIPTION	APPROVED	DATE
A	20080210-09	ORIGINAL RELEASE		



mounting pattern

NOTES: UNLESS OTHERWISE SPECIFIED.

1. Application: For MINI blade fuse.
2. Electrical: Rated for current up
3. Insulating Base body: PA +30%GP
Contact: Brass with Tin plated



东莞市赛力特电子有限公司
SELITEL ELECTRONIC CO., LTD

ROHS COMPLIANT		UNLESS OTHERWISE STATED		CUSTOMER	
WALL THICKNESS	MM				
LINEAR	.XXX	± 0.05	MM		
ANGULAR		± 0.5	DEG		
DEALET ANGLE/SIDE		0.5	° MAX		
BURR & FLASH		0.10	MAX		
BREAK CORNERS		0.20	R MAX		
PARTING LINE SWITCH		0.05	MAX		

PCB Mount Fuseholder
FOR MINI AUTO FUSE

DSGN	Tom	SCALE	free	REV
TOM		SHEET	1 OF 1	
CHKD		PART NO.		
APPD		SL-1538		A