



Bolt Connected fuse links 螺栓连接熔断体

REV. 1

► Applications

Protection against overload and short-circuit in electric lines(type gG),also available for protection of semiconductor parts and equipment against short-circuit(type aR)and protection of motors(type aM).

Rated voltage up to 1200V;Rated current up to 630A;Working frequency 50Hz AC;Rated breaking capacity up to 80KA.Compliant with GB13539 and IEC269.

► design features

Variable cross-section fuse element made from pure copper or silver sealed in cartridge made from high-duty ceramic or epoxy glass.Fuse tube filled with chemically treated high-purity quartz sand as arc-extinguishing medium.Dot-welding of fuse element ends to the terminals ensures reliable electric connection and forms insert knife type contacts.Striker may be attached to the fuse link to provide immediate activation of microswitch to give various signals or cut the circuit automatically.



► basic data

The models,dimensions,ratings are shown in Figures 5.1 ~ 5.11 and tables 5.

熔断体型号、外形尺寸、额定电压、额定电流见图5.1~5.11及表5。



SELLI

Cat. No.	Models		Cross-reference		Rated voltage (V)	Rated current (A)	Dimensions/size(mm)									Weight (g)
	gG(Normal)	aR(fast)	gG(Normal)	aR(fast)			Fig.	A	B	C	ΦD	E	F	H	ΦD	
0501	RGOK	RGSOK	NIT		415	1~32	5.1	34	56	55	13.5	11	0.8	14.5	5	14.4
0502	RG2	RGS2	TIS RT12-63	-	500	40~100	5.1	56	75	88	25.5	13	1.2	27	6.5	73.8

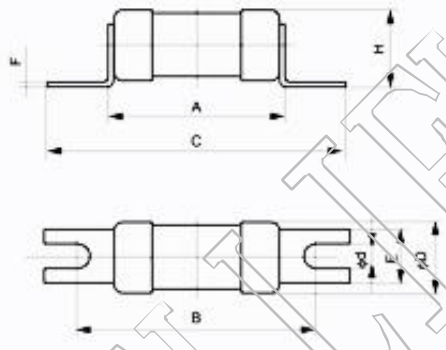


Figure 5.1

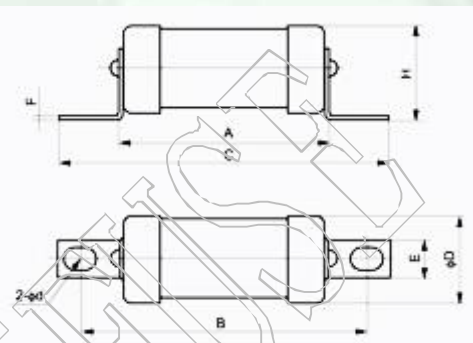


Figure 5.2

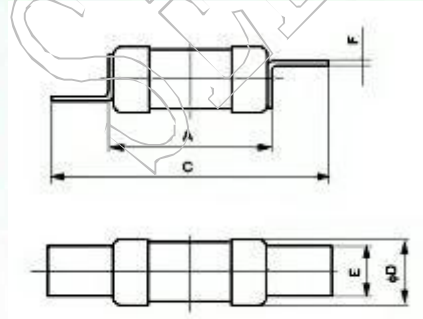


Figure 5.3

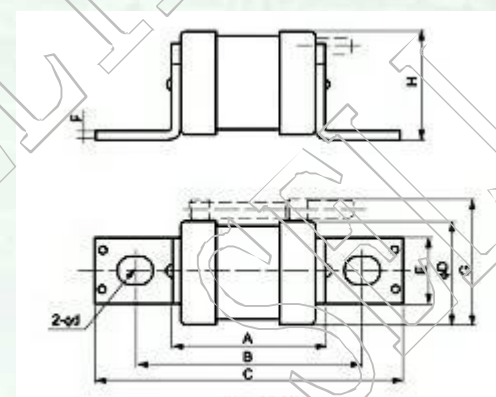


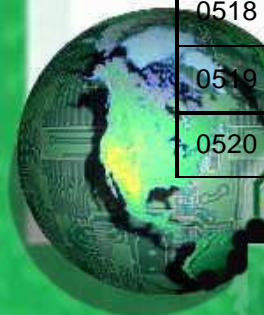
Figure 5.4



SELLI

WWW.SELLIFUSE.COM

Cat. No.	Models				Rated voltage (V)	Rated current (A)	Dimensions/size(mm)									Weight (g)
			Cross-reference				Fig.	A	B	C	ΦD	E	F	H	ΦD	
	gG(Normal)	aR(fast)	gG(Normal)	aR(fast)												
0503	RG1	RGS1	TIA	-	500	4~35	5.2	54	73	85	22	9.5	1.5	25	5.5×7.5	5.5
0504	RG3	RGS3	-	-	500	6~63	5.2	54	73	85	22	9.5	1.5	25	5.5×7.5	51.1
0505	RG4	RGS4	-	GSG	660/1000	10~63	5.2	49.5	63	77	16.5	12.5	2.0	18	6.5×9	32
0506	RG6	RGS6	-	GSA	500	80	5.2	68	93	112	31	19	2.0	33	9×11.5	146
0507	RG7	-	TCP	-	500	100	5.2	68	95	114	34	19	2.0	35	9×11.5	228
0508	RG7A	RGS7A	-	PC10D	500	110~150	5.2	57	99	119	38	24	3.0	40	5	178
0509	RG11	RGS11	-	CR2L GSB	250/380	16~75	5.2	27.5	42	56	16.5	12.5	2.0	17.5	6.5×9	25
0510	RG12	RGS12	-	CR2L GSB	250/500	75~175	5.2	31.5	58	80	26	19	3.0	27	9×11.5	79.5
0511	RG14	RGS14	-	GSB	500	5~20	5.2	31	37	46	8.5	7	0.8	9.5	4.5×6	55
0512	RG14B	RGS14B	-	GSB	500	5~20	5.2	54	64	73	8.5	7	0.8	9.5	4.5×6	8.5
0513	RG15	RGS15	-	CR2L GSB	250/500	200	5.2	34	60	88	30	25	3.0	36	11×13	120
0514	RG17	RGS17	-	GSB	500	40~100	5.2	54	78	96	22.2	20.5	2	24	9×12	62.3
0515	RG18	RGS18	-	CR6L	600	75~150	5.2	40	70	95	30	25	3.2	33	11×13	147
0516	RG19	RGS19	-	CR6L	600	200~250	5.2	43	82	107	37	30	4.0	42	11×13	219
0517	RGOH	-	AAO	-	500	2~32	5.2	34	72	81	13.5	9.4	1.2	15	5.5×7.8	18
0518	RG4AD	RGS4AD	-	250GH	250	32~160	5.2	29	56	77	23.8	20	3	25.5	9×14	39
0519	RG4A	RGS4A	-	660GH	660	125~200	5.2	50	77	98	23.8	20	3	25.5	9×14	53
0520	RG4B	RGS4B	-	660GH	660	225~315	5.2	50.5	82	108	31	25	3	34	10.5×16	75

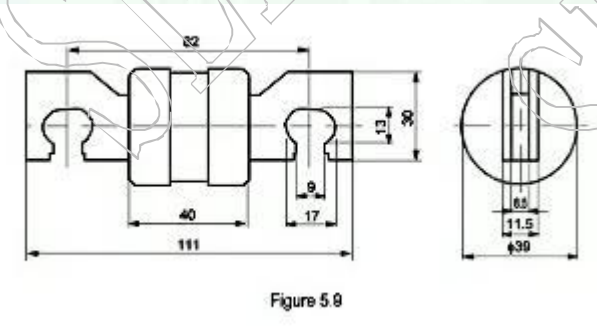
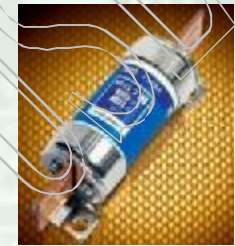
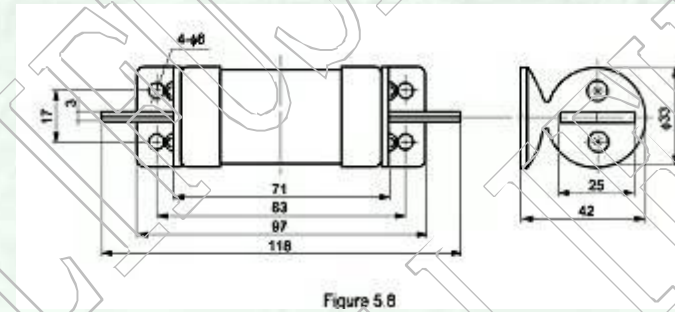
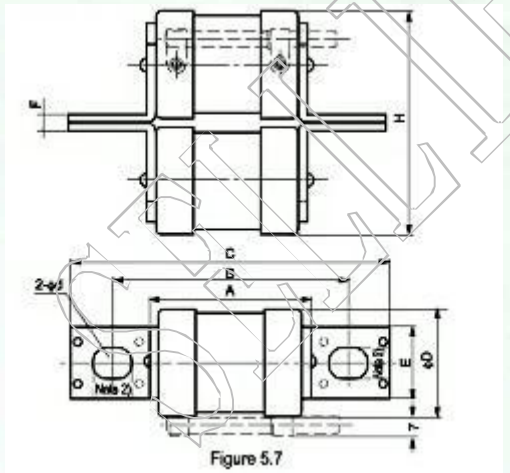
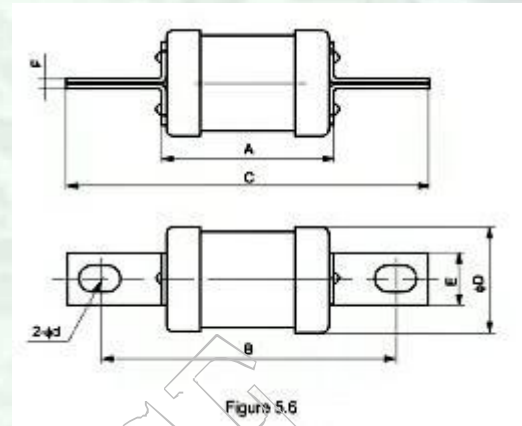
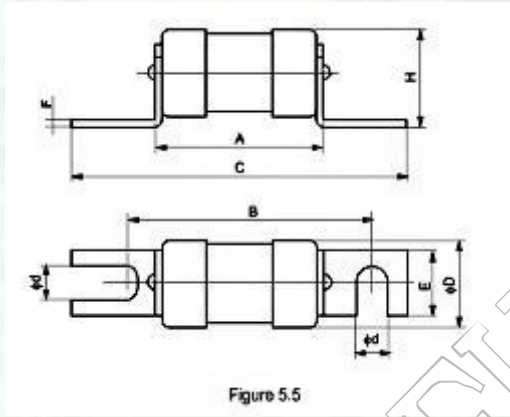


SELLI

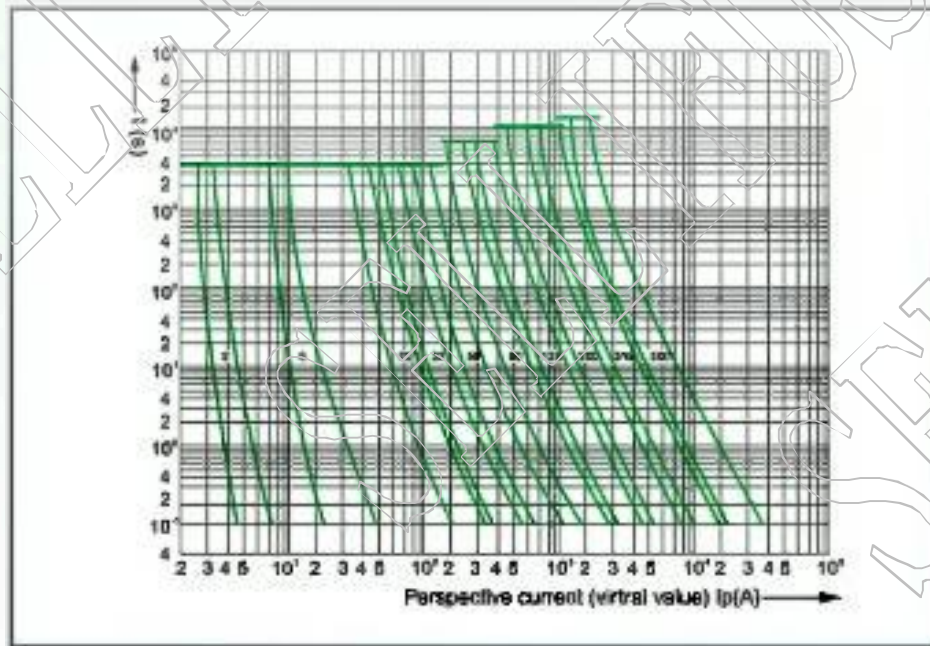
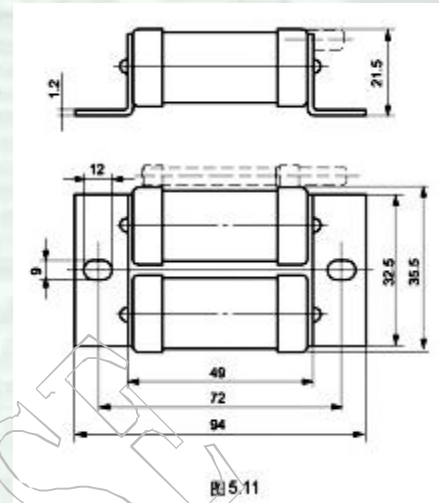
Cat. No.	Models					Rated voltage (V)	Rated current (A)	Dimensions/size(mm)									Weight (g)
	Cross-reference							Fig.	A	B	C	ΦD	E	F	G/H	ΦD	
	gG(Normal)	aR(fast)	gG(Normal)		aR(fast)												
0521	RG0	RGS0	NS		-	415	1~32	5.3	32	-	59	13.5	11	0.8	-	-	15.2
0522	RG0D	RGS0D	NS		-	415	40~63	5.3	39	-	69	17.5	15	1.2	-	-	24
0523	RG4(Z)	RGS4(Z)	-		-	660/1000	63	5.4	49.5	63	77	16.5	12.5	2.0	24/18	6.5×9	35
0524	-	RGS7	-		-	500	100	5.4	59	83	110	38	25	3.0	41	11×14	280
0525	-	RGS7(Z)	-		-	500	100	5.4	59	83	110	38	25	3.0	44/41	11×14	295
0526	RG2-1	RGS2-1	-		PC63	500	32~63	5.5	51	80	98	25	19	2.0	28.5	9	81
0527	RG5	RGS5	-		GSB	1200	6~32	5.5	110	121	138	26	13	1.5	27	6.5	91
0528	RG5-1	RGS5-1	-		-	1200	16~75	5.5	107.5	127	140	25.5	13	1.3	28	6.5x9	98
0529	RG5D	RGS5D	-		GSB	1200	32~63	5.5	110	124	138	26	13	1.5	27	6.5	107
0530	RG13	RGS13	-		PC25	500	2~25	5.5	57	75	91	15	13	1.5	20.5	6.5	37
0531	RG16	RGS16	-		GSB	500	25-40	5.5	56	78	95	14	13	1.5	17	6.5	29
0532	RG8	RGS8	TC		-	415/550	125~160	5.6	63.5	110	135	38	19	3	-	6×9	212
0533	RG8B	RGS8B	-		-	415/550	80~100	5.6	60	74	94	22	20	3.0	-	9.5×15	60
0534	RG9	RGS9	RT15-200/B2		-	415/550	200	5.6	74	110	135	40	19	3	-	9x15	24.2
0535	RG10	RGS10	RT15-350/B3		-	415/550	250-350	5.6	76	112	138	53	25	3	-	8.5x15	451
0536	RG10B	RGS10B	TM		-	415/550	355-400	5.6	73.5	110	135	60	25	4	25.5	9×14	563
0537	RG77	RGS77	-		GSG	660/1000	100~500	5.7	58	85	110	38	25	6	80	11×14	455
0538	RG77YK	RGS77YK	-		-	660/1000	100~500	5.7	58	110	137	38	25	6	80	10.5×2 2	495
0539	RG77F	RGS77F	-		-	660/1000	100~350	5.7	46	80	104	34.5	25	6	83	10×16	335
0540	RG77YK	RGS77YK	-		-	660/1000	100~500	5.7	43	97	122	36.5	30	8	83	11×13	219
0541	RG7C	RGS7C	-		-	500/1000	100	5.8	-	-	-	-	-	-	-	-	-
0542	RG8M	RGS8M	-		-	415/550	80-315	5.9	-	-	-	-	-	-	-	-	-
0543	RG10C	RGS10C	-		-	500/1000	415-630	5.10	-	-	-	-	-	-	-	-	-
0544	RG44(Z)	RGS44(Z)	-		-	660/1000	75-160	5.11	-	-	-	-	-	-	-	-	-



SELLI

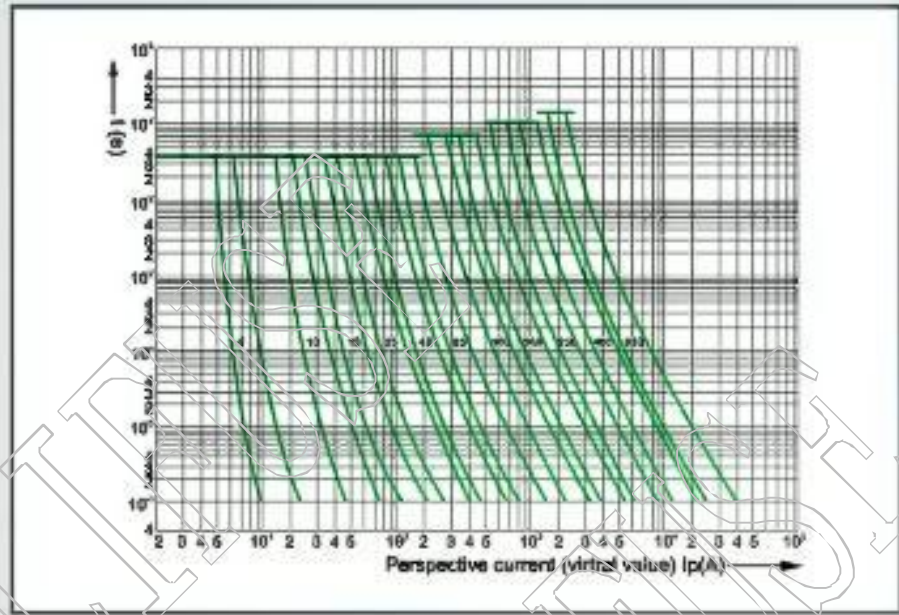


SELLI

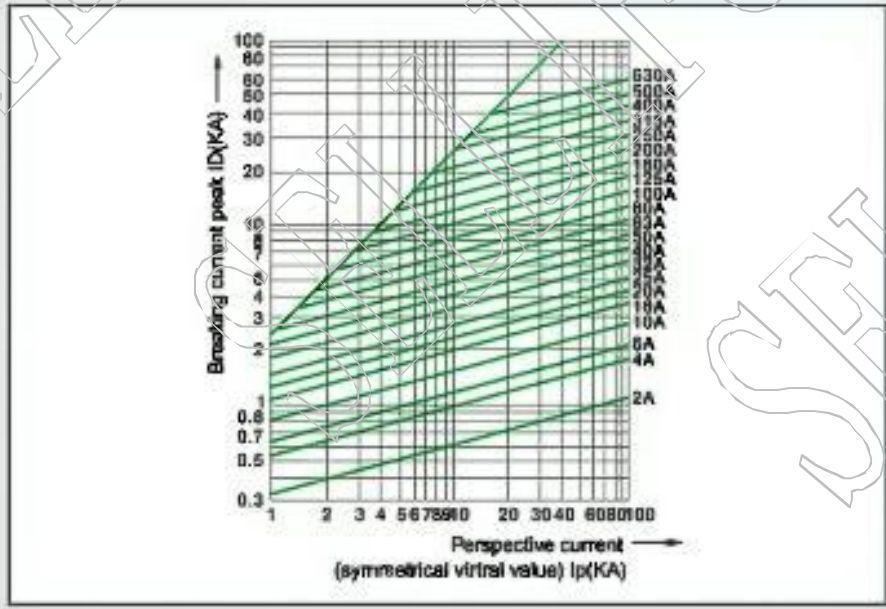


SELLI

WWW.SELLIFUSE.COM



Time-current rang of "gG" fuse links



Breaking current characteristics curve of "gG" fuse links



SELLI